

Specifications

Specification \ Item	MEA Pro 1	MEA Pro 2 Plus	MEA Pro 3	MEA Pro 4 Plus	MEA Pro 5 Plus	MEA Pro 6 Plus
Max flow (115V/60Hz) (cfm) / (lpm)	1.1 / 32	1.1 / 32	2.5 / 70	2.9 / 82	3.5 / 100	4.2 / 119
Max flow (230V/50Hz) (cfm) / (lpm)	1.1 / 31	1.1 / 31	2.3 / 65	3.5 / 100	3.7 / 105	5.2 / 146
Rated voltage (V)	AC 110/115/120 or AC 220/230/240					
Power supply frequency (Hz)	50 / 60					
Suggestion operation depth	Up to 6'	Up to 6'	Up to 7'	Up to 8'	Up to 10'	Up to 10'
Rated performance (cfm) / (lpm)	0.92 / 26	0.92 / 26	1.60 / 45	2.30 / 65	2.97 / 84	3.60 / 102
Power (w)	24	24	38	61	82	110
Noise level (dB)	36	36	39	38	38	40
Closed pressure (psi) / (bar)	5.0 / 0.34	5.0 / 0.34	6.28 / 0.44	6.7 / 0.46	7.68 / 0.54	6.5 / 0.45
Suggested pond size (Gal.) / (L)	1,000~7,000 3,785~26,497	3,000~9,000 11,356~34,067	5,000~16,000 18,927~60,565	8,000~20,000 30,283~75,706	10,000~24,000 37,853~90,848	15,000~45,000 56,780~170,340
Parts	25LPx1 WAHØ3/8x20ftx1 OD-8x1	25LPx1 WAHØ3/8x30ftx1 MDB11x1	40LPx1 WAHØ3/8x30ftx1 OD-8x2	60Lx1 WAHØ3/8x50ftx1 MDB11x2 SC-2x1	80Lx1 WAHØ3/8x30ftx1 MDB22x1	100Lx1 WAHØ1/2x30ftx2 MDB22x2 SC-2x1
Diffuser (in) / (mm)	Ø1/2 x 8 Ø12.7 x 203	12x6x11 314x140x270	Ø1/2 x 8 Ø12.7 x 203	12x6x11 314x140x270	24x11x6 600x280x150	24x11x6 600x280x150

* The above specification are subject to change without prior notice.

DISTRIBUTED BY



MATALA WATER TECHNOLOGY CO., LTD.

www.matala.com.tw

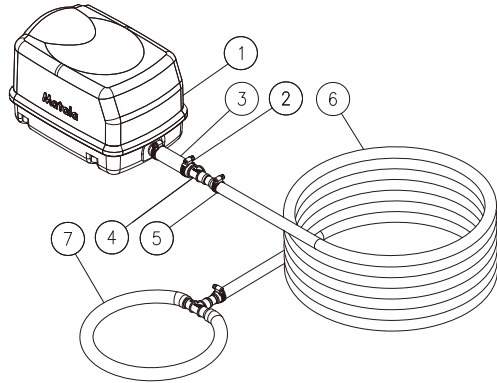
Matala Ez-Air Pro Kits



Features and benefits:

- Breathe life into your pond or lake!
- Improve fish health.
- Reduce algae growth and sludge build up.
- De-ice to prevent winter fish kill.
- Application for aquaculture, wastewater, small lake and koi pond.
- High efficiency.
- Industrial grade air pump.
- Simple maintenance.
- Completely oil-free.
- Overload protection.
- Silent operation.
- Long life expectancy.

Lake and Pond Aeration is now easier than ever !



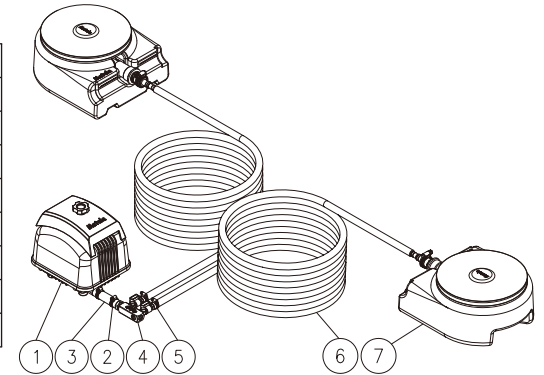
Model:MEA Pro 1

NO	ASM NO	PARTS NO	DESCRIPTION	SPEC	Q'TY
1		25LP	Air pump	25 LPM	1
2	EAAH200001	EA200001	Hose clamp	16~23mm(7/8")	2
		EA200002	Link-tube	5/8"X35mmX65mm	1
3		EA200022	Link-tube	5/8"X80mm	1
4	EAAH200002	EA200003-1	Union 3 section hose scket	3/8"X1/2"X5/8"	1
		EA200008	Hose clamp	13~26mm(1/2"~1")	2
5		EA200008	Hose clamp	13~26mm(1/2"~1")	2
6		WHAB100001-1	Weighted hose	3/8"X20'	1
7		OD-8"	Diffuser tubing	Ø1/2"XØ8"	1

Lake and Pond Aeration is now easier than ever !

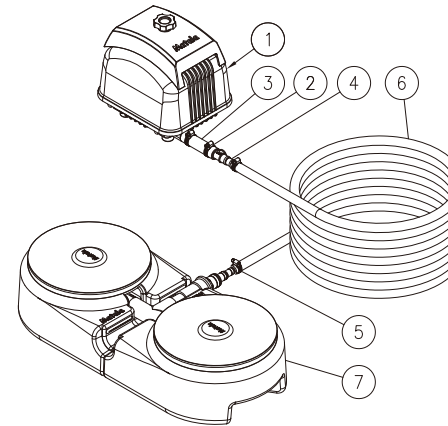
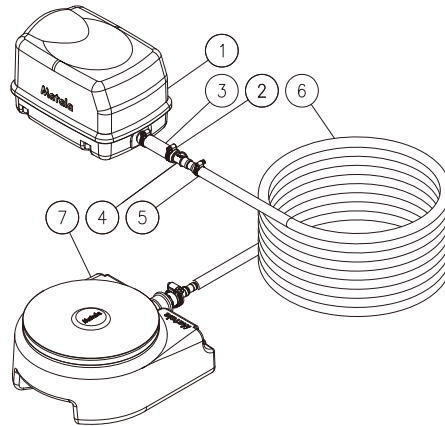
Model:MEA Pro 4 Plus

NO	ASM NO	PARTS NO	DESCRIPTION	SPEC	Q'TY
1		60L	Air pump	60 LPM	1
2	EAAH200001	EA200001	Hose clamp	16~23mm(7/8")	2
		EA200002	Link-tube	5/8"X35mmX65mm	1
3		EA200022	Link-tube	5/8"X80mm	1
4	EAAH200007	SC2-38	Heavy duty air manifold	5/8"X3/8"	1
		EA200008	Hose clamp	13~26mm(1/2"~1")	4
5		EA200008	Hose clamp	13~26mm(1/2"~1")	4
6		WAB100001-4	Weighted hose	3/8"X50'	1
7		MDB-11	Diffuser base	Ø225mm(9")	2



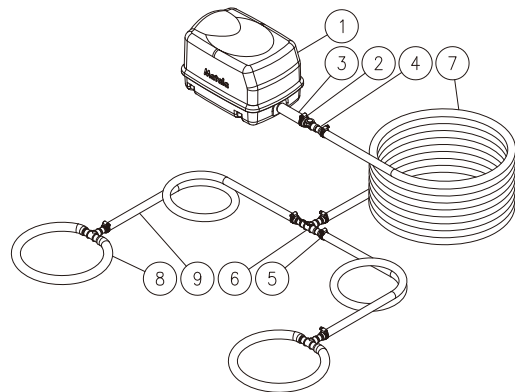
Model:MEA Pro 2 Plus

NO	ASM NO	PARTS NO	DESCRIPTION	SPEC	Q'TY
1		25LP	Air pump	25 LPM	1
2	EAAH200001	EA200001	Hose clamp	16~23mm(7/8")	2
		EA200002	Link-tube	5/8"X35mmX65mm	1
3		EA200022	Link-tube	5/8"X80mm	1
4	EAAH200002	EA200003-1	Union 3 section hose scket	3/8"X5/8"X1/2"	1
		EA200008	Hose clamp	13~26mm(1/2"~1")	2
5		EA200008	Hose clamp	13~26mm(1/2"~1")	2
6		WHAB100001-2	Weighted hose	3/8"X30'	1
7		MDB-11	Diffuser base	Ø225mm(9")	1



Model:MEA Pro 5 Plus

NO	ASM NO	PARTS NO	DESCRIPTION	SPEC	Q'TY
1		80L	Air pump	80 LPM	1
2	EAAH200001	EA200001	Hose clamp	16~23mm(7/8")	2
		EA200002	Link-tube	5/8"X35mmX65mm	1
3		EA200022	Link-tube	5/8"X80mm	1
4	EAAH200002	EA200003-1	Union 3 section hose scket	3/8"X5/8"1/2"	1
		EA200008	Hose clamp	13~26mm	2
5		EA200008	Hose clamp	13~26mm	2
6		WHAB100001-2	Weighted hose	3/8"X30'	1
7		MDB-22	Diffuser base	Ø225mm(9")	1



Model:MEA Pro 3

NO	ASM NO	PART NO	DESCRIPTION	SPEC	Q'TY
1		40LP	Air pump	40 LPM	1
2	EAAH200001	EA200001	Hose clamp	16~23mm(7/8")	2
		EA200002	Link-tube	5/8"X35mmX65mm	1
3		EA200022	Link-tube	5/8"X80mm	1
4	EAAH200003	EA200003-1	Union 3 section hose scket	3/8"X5/8"X1/2"	1
		EA200008	Hose clamp	13~26mm(1/2"~1")	6
5		EA200008	Hose clamp	13~26mm(1/2"~1")	6
6	EAAH200003	EA200003	Tee 3 section hose scket	3/8"X5/8"X1/2"	1
		EA200003	Tee 3 section hose scket	3/8"X5/8"X1/2"	1
7		WHAB100001-2	Weighted hose	3/8"X30'	1
8		OD-8"	Diffuser tubing	Ø1/2"XØ8"	2
9		WAAB100001-3	Weighted hose	3/8"X1.5'	2

Model:MEA Pro 6 Plus

NO	ASM NO	PARTS NO	DESCRIPTION	SPEC	Q'TY
1		100L	Air pump	100 LPM	1
2	EAAH200001	EA200001	Hose clamp	16~23mm(7/8")	2
		EA200002	Link-Tube	5/8"X35mmX65mm	1
3		EA200022	Link-Tube	5/8"X80mm	1
4	EAAH200006	SC2-12	Heavy duty Air Manifold	5/8"X1/2"	1
		EA200008	Hose clamp	13~26mm	2
5		EA200008	Hose clamp	13~26mm	2
6		WHAB100002-1	Weighted hose	1/2"X30'	2
7		MDB-22	Diffuser base	Ø225mm(9")	1