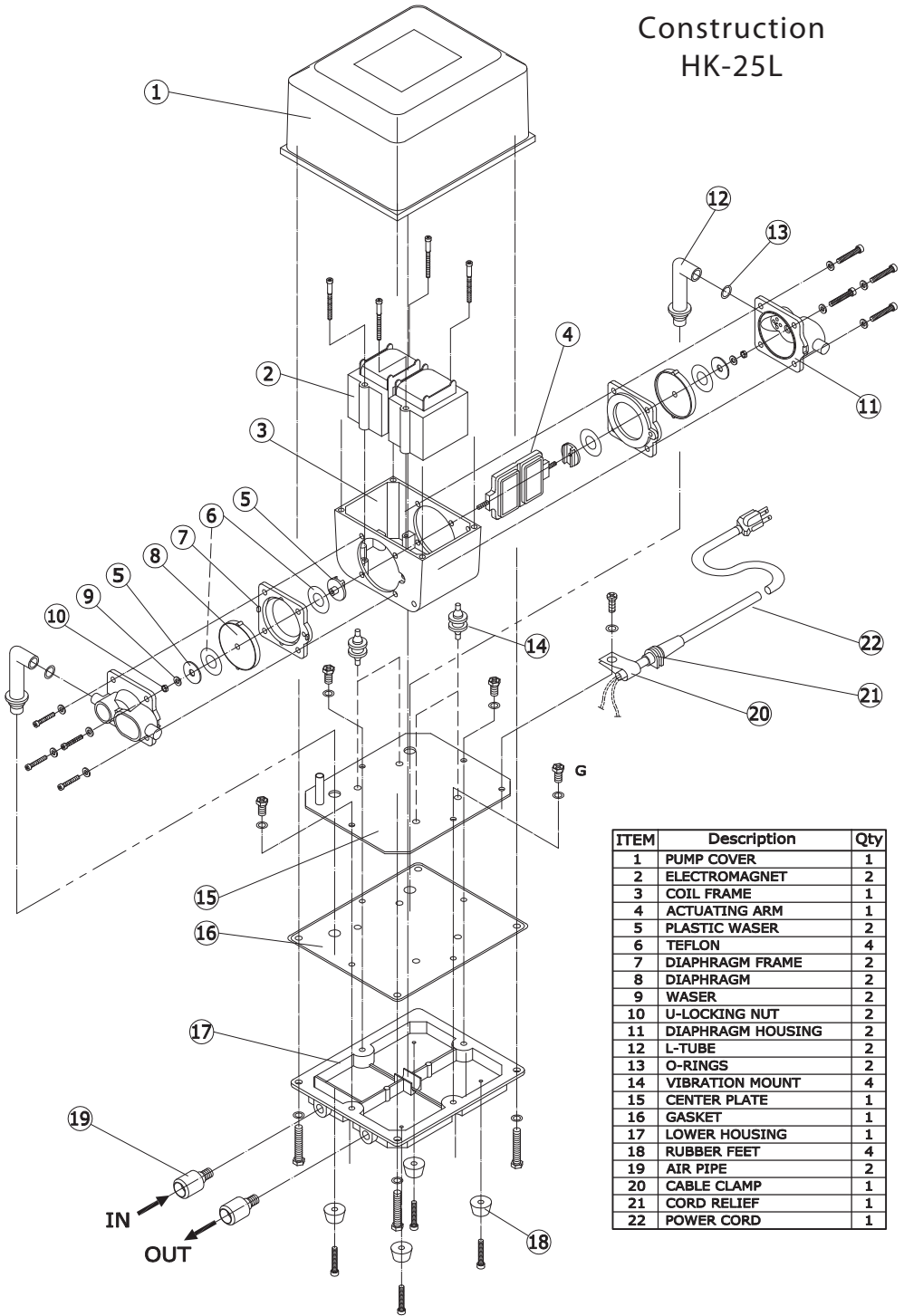


Construction HK-25L



ITEM	Description	Qty
1	PUMP COVER	1
2	ELECTROMAGNET	2
3	COIL FRAME	1
4	ACTUATING ARM	1
5	PLASTIC WASHER	2
6	TEFLON	4
7	DIAPHRAGM FRAME	2
8	DIAPHRAGM	2
9	WASHER	2
10	U-LOCKING NUT	2
11	DIAPHRAGM HOUSING	2
12	L-TUBE	2
13	O-RINGS	2
14	VIBRATION MOUNT	4
15	CENTER PLATE	1
16	GASKET	1
17	LOWER HOUSING	1
18	RUBBER FEET	4
19	AIR PIPE	2
20	CABLE CLAMP	1
21	CORD RELIEF	1
22	POWER CORD	1